


SE4-30 ADVANCED SERIES

SAFETY CATEGORY 4 / HAND PROTECTION





SE4-30 Blanking Masters

HAND PROTECTION

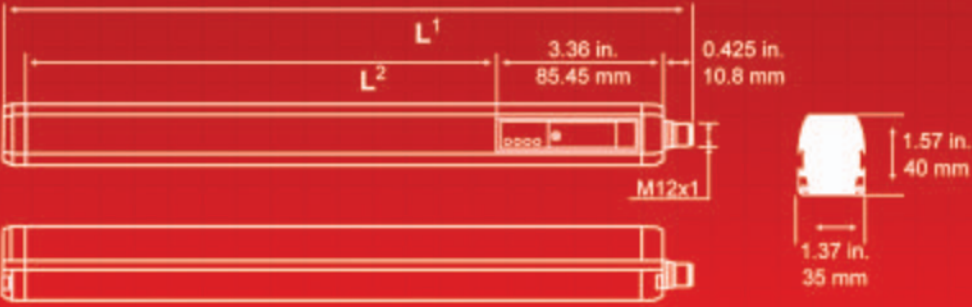
30mm / 1.18 in. Resolution

- * Category 4 Safety light curtains with advanced features
- * Fixed or Floating Channel blanking controlled with DIP switches on the front panel
- * Cascading feature allows for connection of 2 light curtains together with one safety relay.

SELECTION & ORDERING INFORMATION TABLE

SE4-30 Series - EDM, Master Blanking					
4-POLE M12 CONNECTOR	Model	Beams	Protective Height	Response Time	8-POLE M12 CONNECTOR
 <p>1 = brown = +24VDC 2 = white = N.C. 3 = blue = 0V 4 = black = N.C.</p>	SE4-30-015-PP-N	8	180mm (7.09 in.)	16ms	 <p>1 = white = TEST/START 2 = brown = +24VDC 3 = green = TEACH-IN 4 = yellow = EDM 5 = grey = 05B01 6 = pink = 05B02 7 = blue = 0V 8 = red = BLANKING TOLERANCE</p>
	SE4-30-030-PP-N	16	327mm (12.87 in.)	20ms	
	SE4-30-045-PP-N	24	474mm (18.66 in.)	23ms	
	SE4-30-060-PP-N	32	621mm (24.45 in.)	25ms	
	SE4-30-075-PP-N	40	768mm (30.24 in.)	27ms	
	SE4-30-090-PP-N	48	915mm (36.02 in.)	30ms	
	SE4-30-105-PP-N	56	1062mm (41.81 in.)	32ms	
	SE4-30-120-PP-N	64	1209mm (47.60 in.)	35ms	
	SE4-30-135-PP-N	72	1356mm (53.39 in.)	38ms	
	SE4-30-150-PP-N	80	1503mm (59.17 in.)	40ms	
Emitter	SE4-30-165-PP-N	88	1650mm (64.96 in.)	43ms	Receiver

DIMENSIONS



Part #	L ¹	L ²
SE4-30-015-PP-N	256	147
SE4-30-030-PP-N	403	294
SE4-30-045-PP-N	550	441
SE4-30-060-PP-N	697	588
SE4-30-075-PP-N	844	735
SE4-30-090-PP-N	991	882
SE4-30-105-PP-N	1138	1029
SE4-30-120-PP-N	1285	1176
SE4-30-135-PP-N	1432	1323
SE4-30-150-PP-N	1579	1470
SE4-30-165-PP-N	1726	1617

